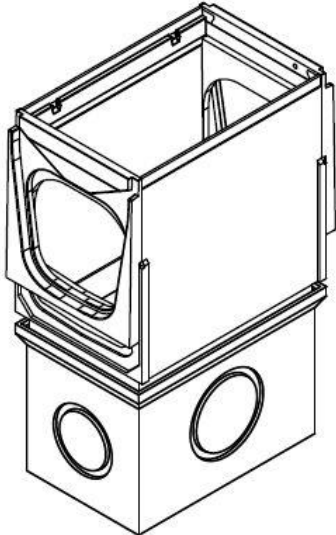
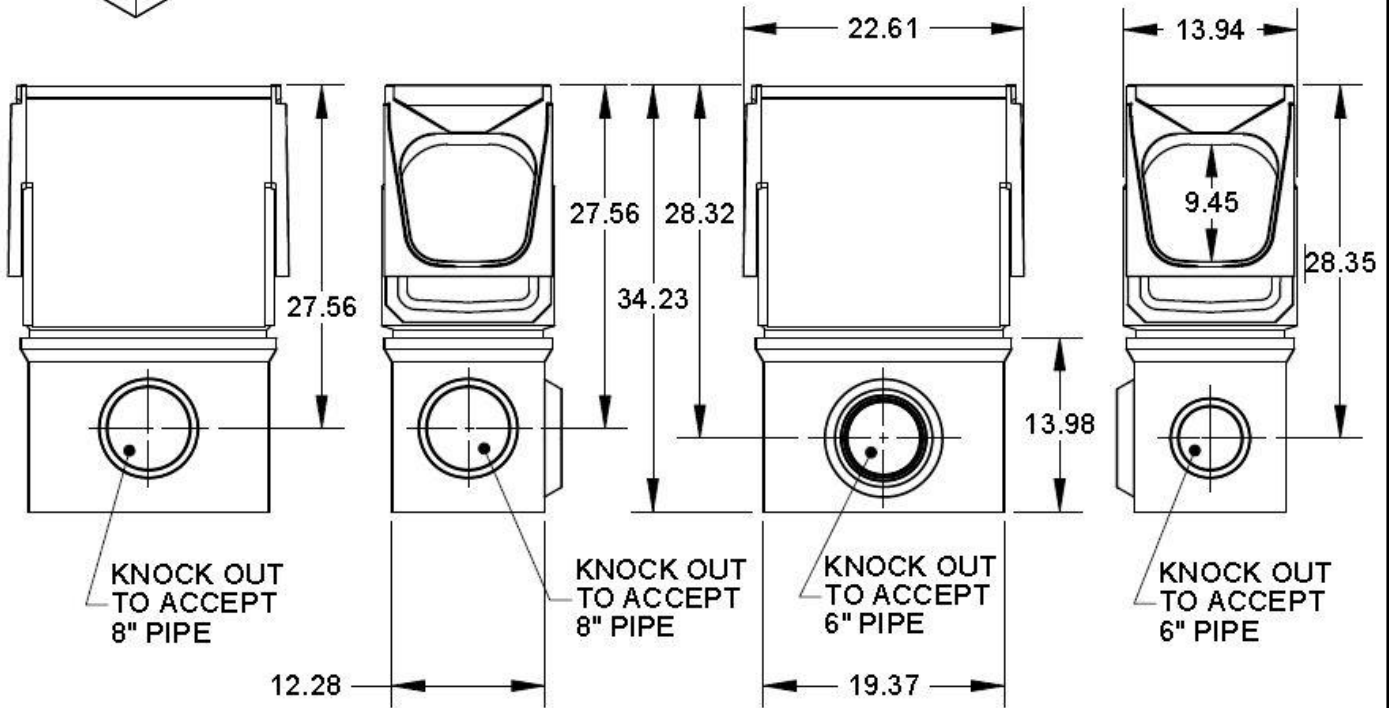
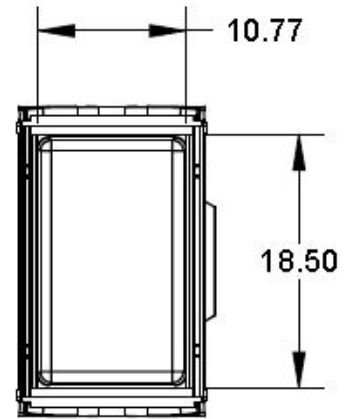


|  |   |
|--|---|
| <p><b>Number</b></p> <p><b>300-SB Siltbox Flat</b></p> | <p><b>Series</b></p> <p><b>CPS300</b><br/>Siltbox For Flat<br/>Pro Plus 300</p> |
|--|---|



NOTE:  
GALVANIZED STEEL SEDIMENT BUCKET  
PART NUMBER 154713 IS AVAILABLE



**Manufacturer**



Quality engineered trench drain system

**Specification**

MEA 300-SB SILT BOX WITH OPTIONAL SEDIMENT BUCKET FOR USE WITH PRO-PLUS 300C SERIES 12" INTERNAL WIDTH TRENCH CHANNELS. MADE FROM POLYMER CONCRETE AND SMC/GRP EDGES WITH PIPE CONNECTIONS, SUPPLIED BY TRENCH DRAIN SUPPLY.

DISCLAIMER - The customer and the customer's architects, engineers, consultants, and other professionals are completely responsible for the selection installation and maintenance of any product purchased from Trench Drain Supply and/or its manufacturers. TRENCH DRAIN SUPPLY MAKES NO WARRANTY, EXPRESS OR IMPLIED, AS TO THE SUITABILITY, DESIGN, MERCHANTABILITY, OR FITNESS OF THE PRODUCT FOR CUSTOMERS APPLICATION. The drawing and information provided remain the property and copyright of the manufacturer listed. The manufacturer reserves the right to modify specification without notice.